

1 2 3 4 5 6

A

B

C

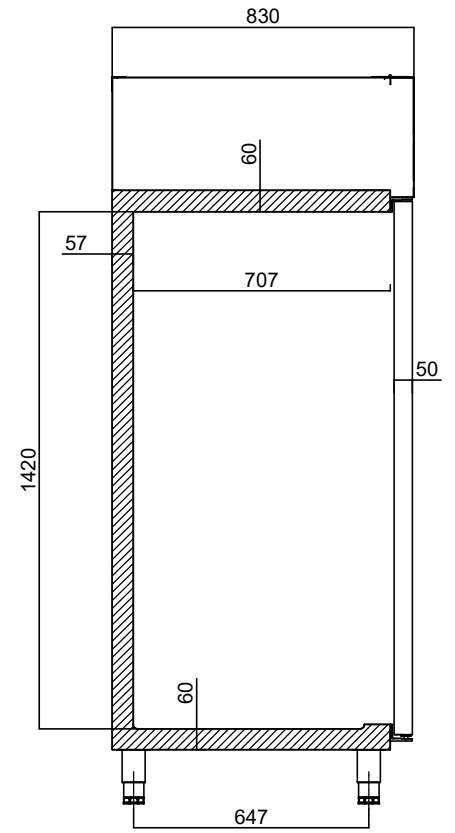
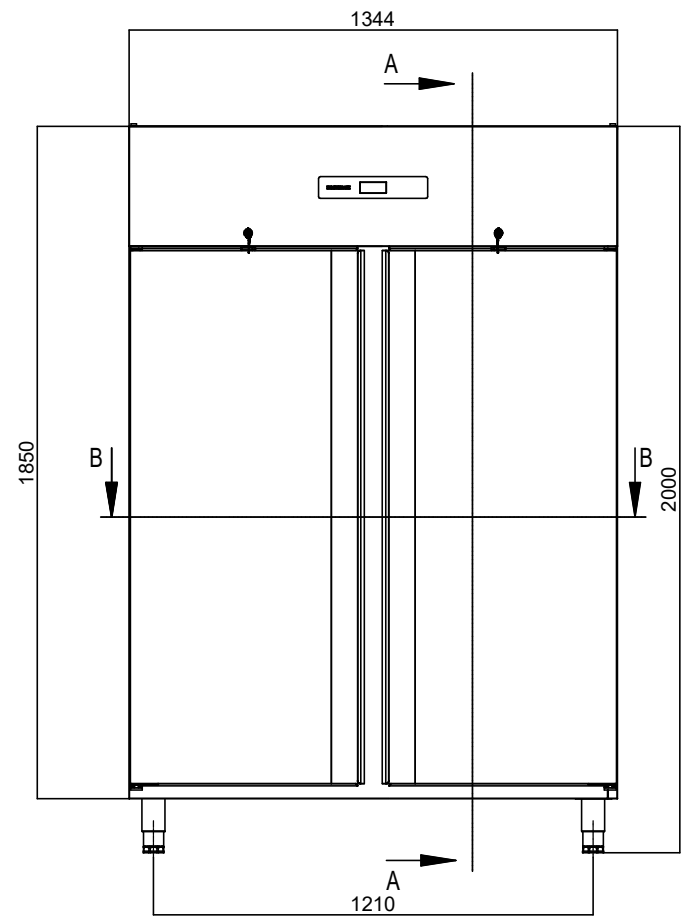
D

A

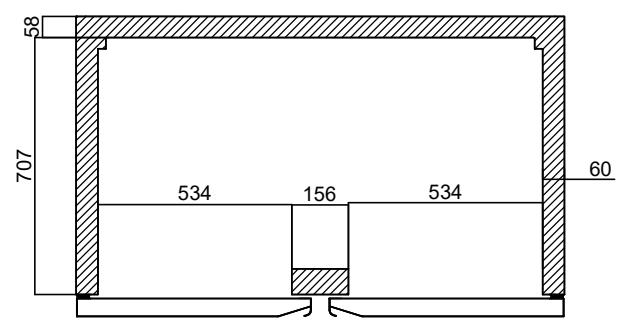
B

C

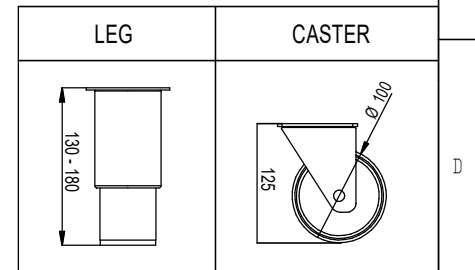
D




A-A



B-B



R&D	DATE	GENERAL TOLERANCES	HOSHIZAKI 		
DRAWN	14.12.2021	DIN 7168 M			DESCRIPTION
CONTROL	14.12.2021		DESCRIPTION 2	MODEL DESCRIPTION	
APPROV.	14.12.2021		REVISION	1	SCALE
DRAWING NO					

DO NOT SCALE FROM DRAWING!

ALL DIMENSIONS ARE IN (mm)